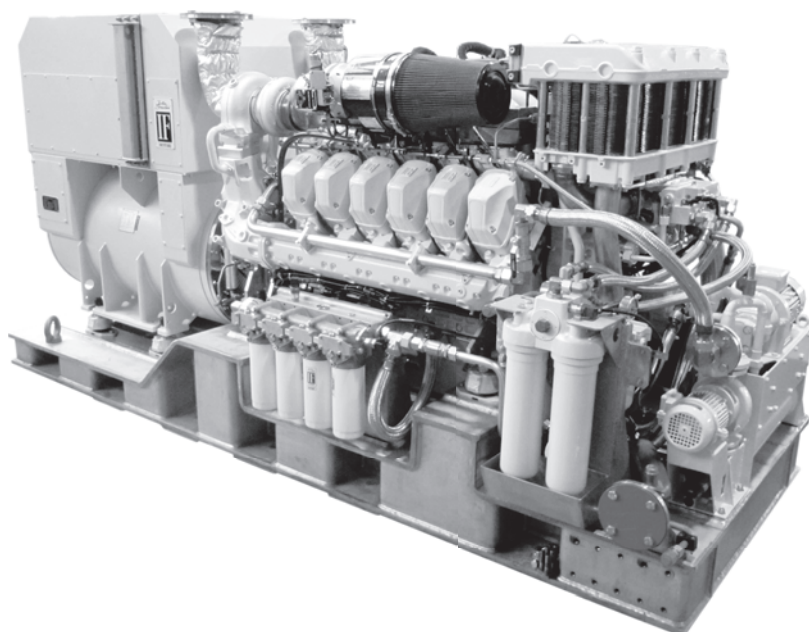




Isotta Fraschini Motori
a FINCANTIERI company

the added value to your project

V 1312 C2 ME MARINE DIESEL ENGINE GENERATOR



ENGINE MODEL V 1312 C2 ME	
TECHNICAL DATA	
No. Cylinder & Arrangement	12V - 90°
Bore/Stroke	130 x 126 mm
Total Displacement	20,07 l
Compression ratio	15,4
Emissions compliance	IMO MARPOL Tier II EPA Tier II Without After Treatment System
Valves per cylinder	2 intake
	2 exhaust

AMBIENT REFERENCE CONDITIONS	
According to Marine Classification Societies requirements (ISO 3046/1 for unrestricted navigation)	
Ambient temperature	45° C
Sea water temperature	32° C
Barometric pressure	1000 mbar
Relative humidity	60%
Rated power available without any derating up to:	
Ambient temperature	55° C
Sea water temperature	36° C
Relative humidity	100%

V 1312 C2 ME

4-Stroke diesel engine with Bosch High Pressure Common Rail fuel injection system.

Single modular cylinder head with 4 valves to optimize combustion and reduce fuel consumption and pollutant emissions, in full compliance with the most stringent regulations in force.

Supercharging system optimized for an efficient performance provision in all operating conditions, even in extreme environmental conditions. Low level of stress to increase overall reliability.

Engine with high power to weight ratio. On Request can be tailor made to Military Specifications.

V 1312 C2 ME 5							
RATINGS @ 1500 RPM-50 HZ							
MECHANICAL OUTPUT				ELECTRICAL OUTPUT			
CONTINUOUS		STAND-BY		CONTINUOUS		STAND-BY	
kWm bkW	P.M.E. B.M.E.P. [bar]	kWm bkW	P.M.E. B.M.E.P. [bar]	kWe ekW	kVA kVA	kWe ekW	kVA kVA
535	21,33	589	23,48	500	625	550	688

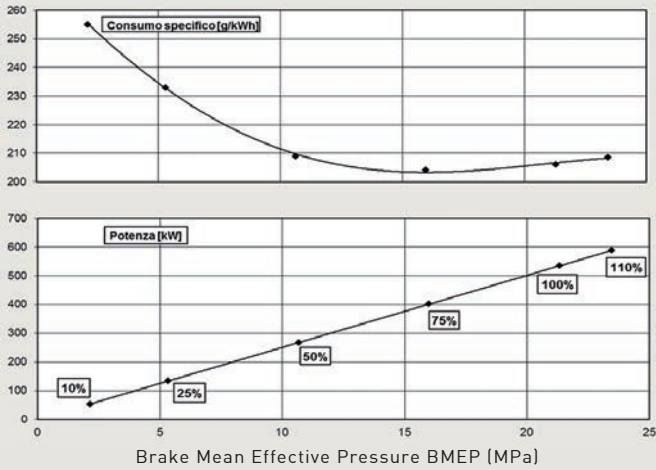
V 1312 C2 ME 8							
RATINGS @ 1800 RPM-60 HZ							
MECHANICAL OUTPUT				ELECTRICAL OUTPUT			
CONTINUOUS		STAND-BY		CONTINUOUS		STAND-BY	
kWm bkW	P.M.E. B.M.E.P. [bar]	kWm bkW	P.M.E. B.M.E.P. [bar]	kWe ekW	kVA kVA	kWe ekW	kVA kVA
640	21,26	704	23,39	600	750	660	825

Engines Power in reference to ISO 3046-1

PERFORMANCE DIAGRAM

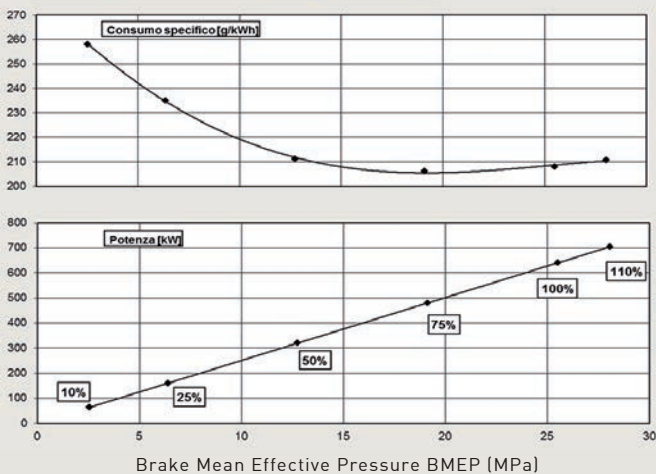
ENGINE V 1312 C2 ME5

Condizioni di riferimento secondo ISO 3046/1
Consumo specifico in g/kWh
Riferito a pot. cal. inf. combustibile 42700 kJ/kg Tolleranza +5%



ENGINE V 1312 C2 ME8

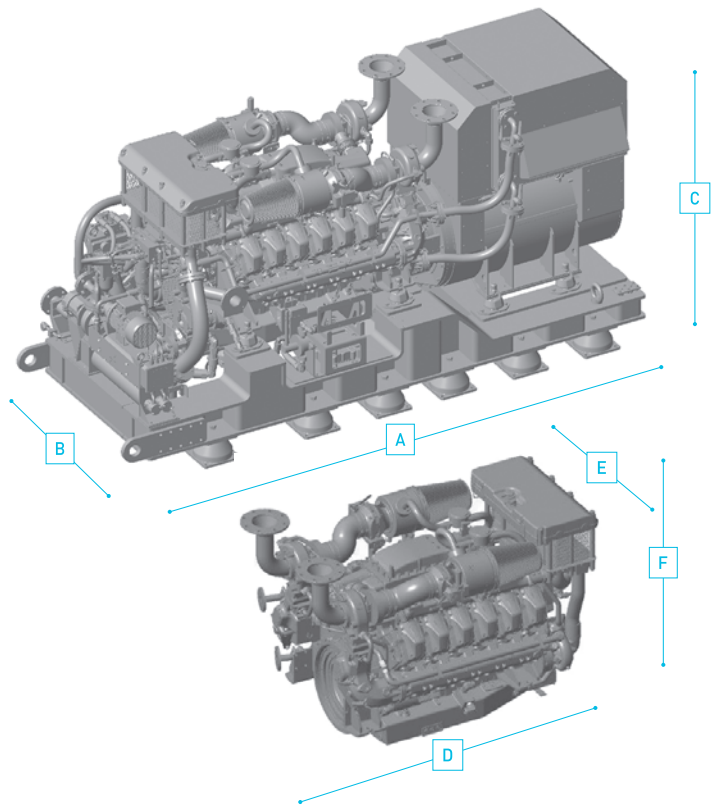
Potenza massima continuativa [ICFN] : 640 kW @ 1800 RPM
Condizioni di riferimento secondo ISO 3046/1
Consumo specifico in g/kWh
Riferito a pot. cal. inf. combustibile 42700 kJ/kg Tolleranza +5%



BASIC DGS BUILD STANDARD

- Engine cooling circuits with engine-driven centrifugal pumps (sea water pump of self-priming type)
- Forced engine lubrication by engine-driven gear type pump, plate-type oil/ fresh water cooler unit, cartridge type oil filter unit
- Fuel system complete with BOSCH High Pressure pump with feeding pump
- Duplex fuel filter, cartridge replaceable whilst running
- Electric system provided with terminal box
- Pneumatic starting motor
- Exhaust gas bellows
- Intake air bellows
- Flexible mountings
- Electric pre-lubrication pump
- Shielded high pressure injection pipes
- Torsional vibration damper
- Local Control Panel (LCP)
- Standard tools
- Operating and maintenance manual (commercial type)
- Illustrated spare parts catalogue (commercial type)

V 1312 C2 ME MARINE DIESEL ENGINE GENERATOR



DIMENSIONS & WEIGHTS

A	DGS Length	ME5	3250 mm	F	Engine Height	1252 mm
		ME8	3250 mm			
B	DGS Width	ME5	1500 mm	G	DGS Dry mass Without enclosure	6530 Kg
		ME8	1500 mm			
C	DGS Height	ME5	1700 mm	Weight and dimensions can vary according to application		
		ME8	1700 mm			
D	Engine Length		1794 mm	H	Engine Dry mass	1600 Kg
E	Engine Width		1115 mm	I	Flywheel and Housing size	SAE 14 SAE 1

OPTIONAL ITEMS

PRESSURE SENSORS:

- Charge air pressure
- Lube oil pressure
- Fresh waterpressure
- Sea water pressure
- Fuel oil pressure

TEMPERATURE SENSORS:

- Charge air temperature
- Fresh water temperature
- Lube oil temperature
- Fuel oil temperature
- Exhaust gas temperature

- Overspeed engine stopping device
- Marine painting
- Fresh water pre-heating system with thermostat system
- Lube oil pre-heating system with thermostat system
- Remote Panel-Dashboard
- Condition based maintenance system
- Classification society test certificate
- Torsional vibration analysis calculation (TVC)
- Long storage preservation treatment
- Electric starting motor with battery pack
- Intake air dry type filters
- After Treatment System
- Noise Reduction Enclosure

NOTE

Engines Power in reference to ISO 3046 - 1

All technical data are subject to variation without notice. To be used only as indicative. To be confirmed with a purchase order.



Isotta Fraschini Motori
a FINCANTIERI company

isottafraschini@isottafraschini.it - www.isottafraschini.it

